

# Data Sheet

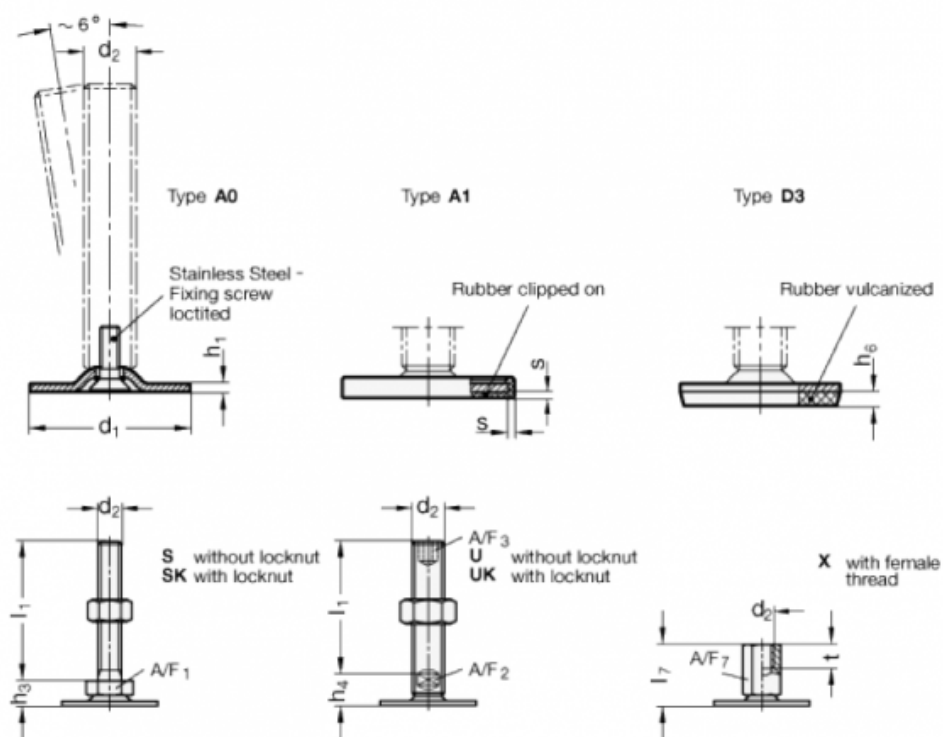


Article number: 204050M16150A3U

Description: E+G levelling foot  
GN 40-50-M16-150-A3-U

Note: U Without nut, Hexagon socket at the top, Wrench flat at the bottom

## Measures



A/F2 = 12  
A/F3 = 8  
d1 = 50  
d2 = M16  
h1 = 2.5  
h4 = 17  
h6 = 4  
l1 = 150

s =